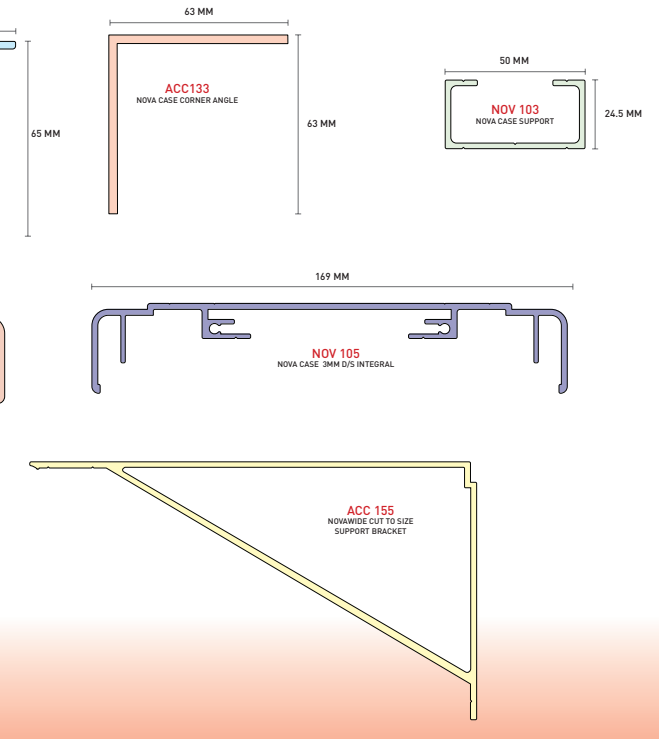
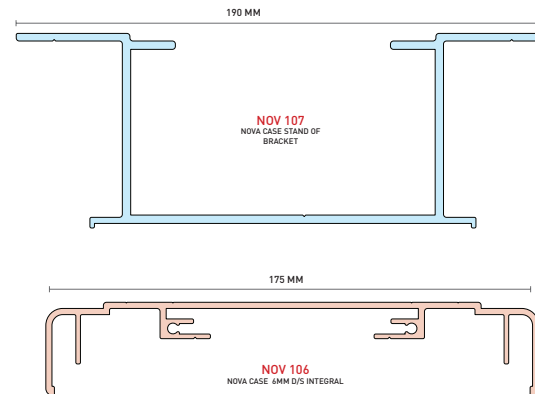
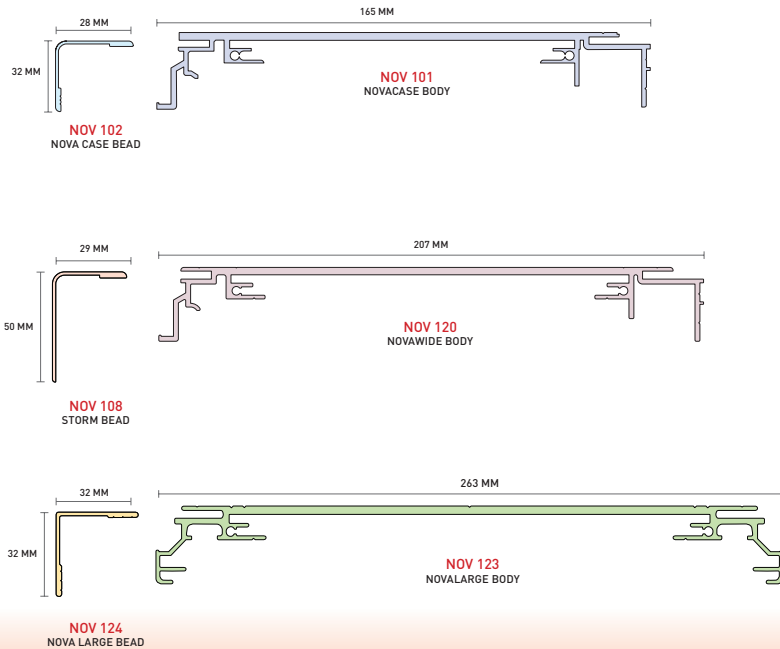
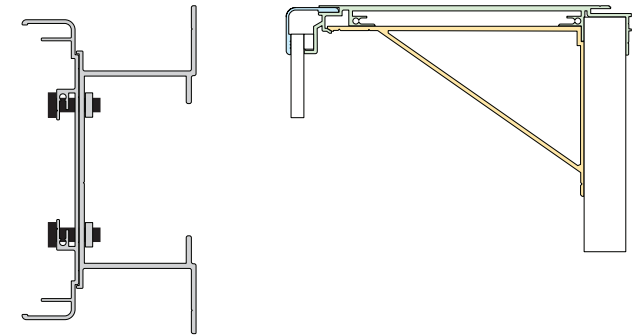


NOVACASE, NOVAWIDE AND NOVALARGE

FIND OUT MORE

For more information, click:

www.nova-aluminium.com/nova-case



(NOT TO SCALE)



0117 955 6463
 SALES@NOVA-ALUMINIUM.COM
 WWW.NOVA-ALUMINIUM.COM

RIGID FACE ALUMINIUM
SIGN SYSTEMS



NATIONWIDE DISTRIBUTOR:
AMARI
PLASTICS

All designs remain the property of Nova Aluminium Systems Limited