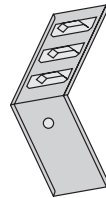
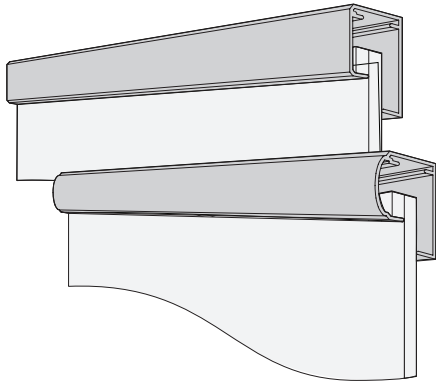


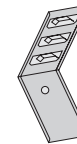
# NOVATRIM

FIND OUT MORE

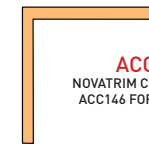
For more information, click:  
[www.nova-aluminium.com/nova-trim](http://www.nova-aluminium.com/nova-trim)



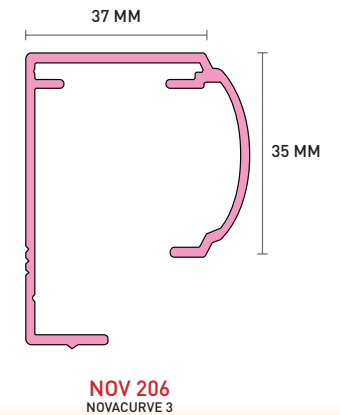
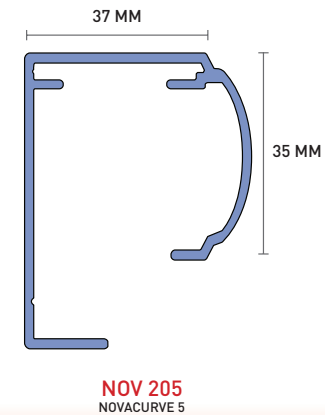
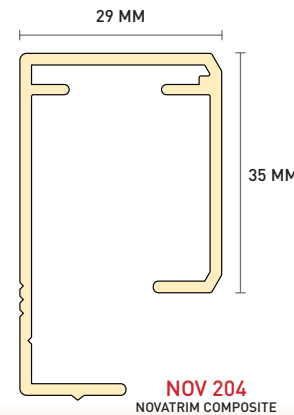
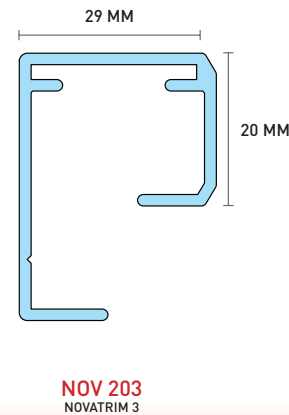
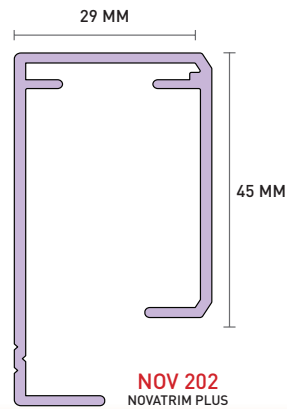
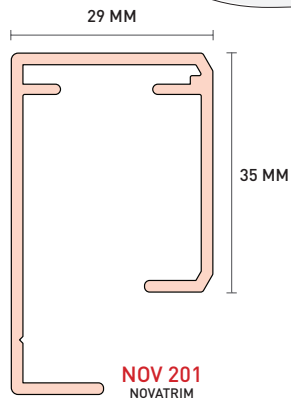
**ACC 148**  
NOVATRIM KNOCK IN ANGLE



**ACC 149**  
FOR NOV203



**ACC 130**  
NOVATRIM CORNER ANGLE  
ACC146 FOR NOVATRIM 3



[NOT TO SCALE]



0117 955 6463  
 SALES@NOVA-ALUMINIUM.COM  
 WWW.NOVA-ALUMINIUM.COM

RIGID FACE ALUMINIUM  
SIGN SYSTEMS



NATIONWIDE DISTRIBUTOR:  
**AMARI**  
 PLASTICS

All designs remain the property of Nova Aluminium Systems Limited