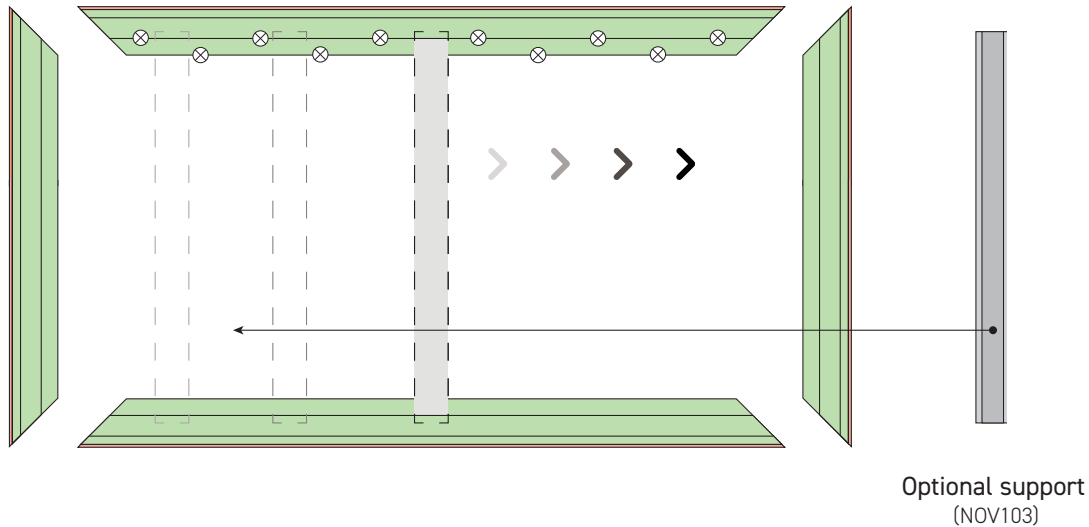


# NovaComp 75mm

## Installation instructions



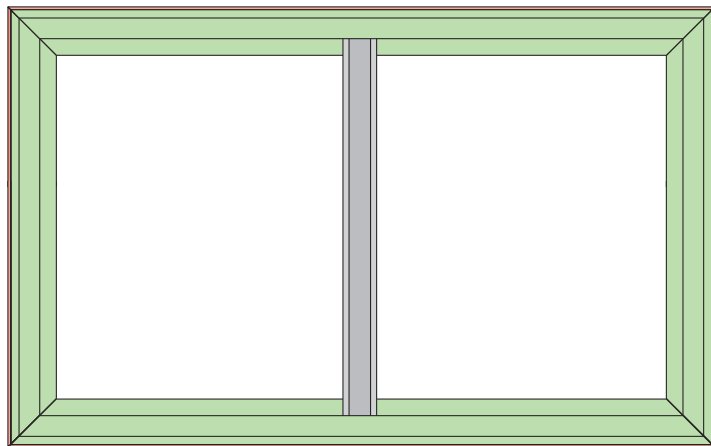
### Frame assembly



If you order NovaComp 75mm Fascia frame in kit form, we will supply you with a support strut to assist with installation.

We suggest inserting the support close to the left hand edge of the frame, with enough space to fix through the body section using both fixing points; this is especially important when fitting to cladding. You can then slide the support to the right, putting fixings at approx. 350mm centres top and bottom to the left of the support strut. When you reach the centre of the frame, slide the support to the far right and repeat in reverse. You can then carry out the same process for the upright sections.

The support strut will enable the top and the bottom of the frame to be fitted perfectly parallel with one another. Once all the fixings are in place, the support can be left centrally in the frame as this will provide additional strength to the frame.

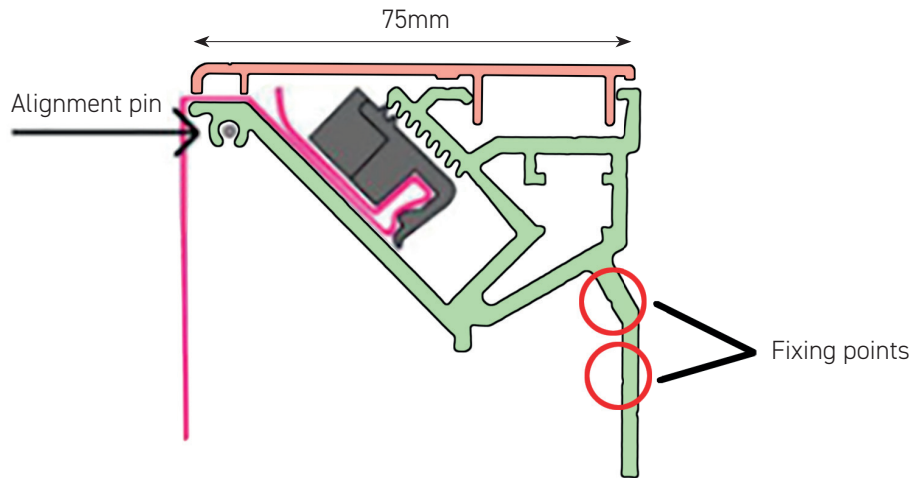


■ 75mm fascia frame body – NOV7400SC

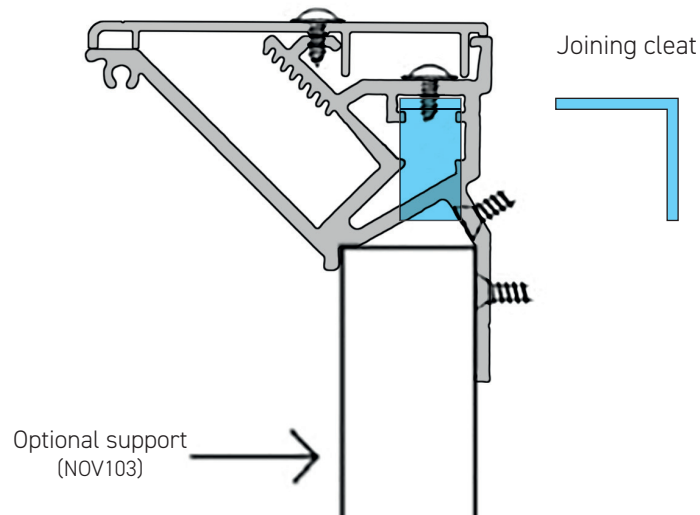
■ 75mm fascia frame cover – NOV7401SC

# NovaComp 75mm

## Installation instructions



- 75mm Fascia frame body - NOV7400SC
- 75mm Fascia frame cover - NOV7401SC



### Skin preparation guidance (e.g. 1m x 1m)

The supplied printed skin for your NovaComp frame will have the measuring marks as show in the image below.



If you are supplying your own skin please follow these guidelines:

- Yellow** Material cut size @ 1152mm x 1152mm
- Pink** Clip position guide @ 1096mm x 1096mm
- Green** Printed image bleed area @ 1076mm x 1076mm
- Image** Frame size @ 1000mm x 1000mm